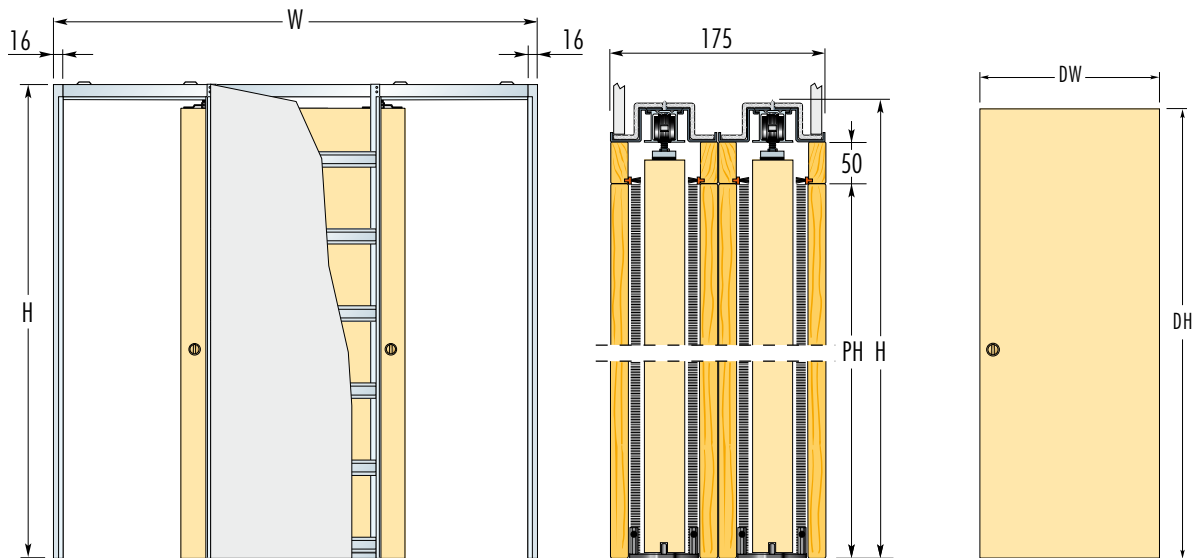
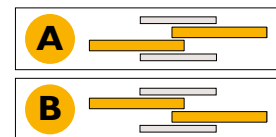
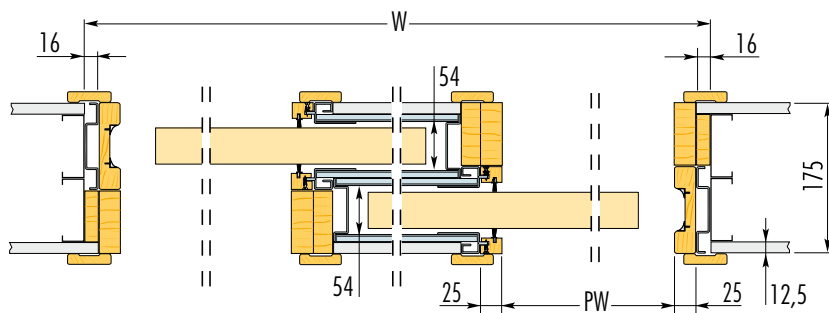


FRAME FOR 2 DOORS SIDE BY SIDE

finished wall thickness **175** mm



N.B. Non standard sizes on request



N.B.: Always specify door handings

FRAME FOR 2 DOORS SIDE BY SIDE			DOOR PANEL UK		NOTES
Max. Passage Size PW x PH	Overall Width W x H	Finished Wall	Standard DW	DH	
600 x 2030	1982 x 2115	175	626	2040	Suitable for use with 35 - 44 mm thick doors Max. door weight 80 kg. (120 kg. on request)
700 x 2030	2282 x 2115	175	726	2040	
800 x 2030	2582 x 2115	175	826	2040	
900 x 2030	2882 x 2115	175	926	2040	
1000 x 2030	3182 x 2115	175	1026	2040	
585 x 1971	1952 x 2056	175	2ft. 0in. x 6ft. 6in. (610 x 1981mm)		When fitting flush pull handles we recommend the stop be regulated so the door protrudes from the pocket to avoid risk to fingers. Should the door be set to enter the pocket completely we do not accept any liability. Doors, plasterboard and final architrave not supplied.
661 x 1971	2204 x 2056	175	2ft. 3in. x 6ft. 6in. (686 x 1981mm)		
737 x 1971	2456 x 2056	175	2ft. 6in. x 6ft. 6in. (762 x 1981mm)		
813 x 1971	2608 x 2056	175	2ft. 9in. x 6ft. 6in. (838 x 1981mm)		
900 x 1971	2882 x 2056	175	3ft. 0in. x 6ft. 6in. (914 x 1981mm)		

dimensions are given in mm.