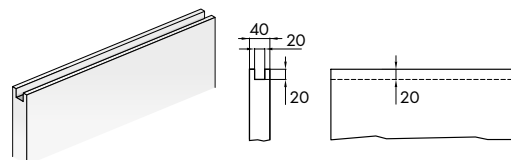
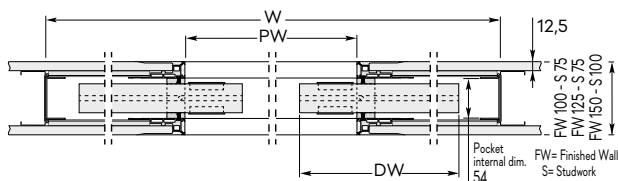
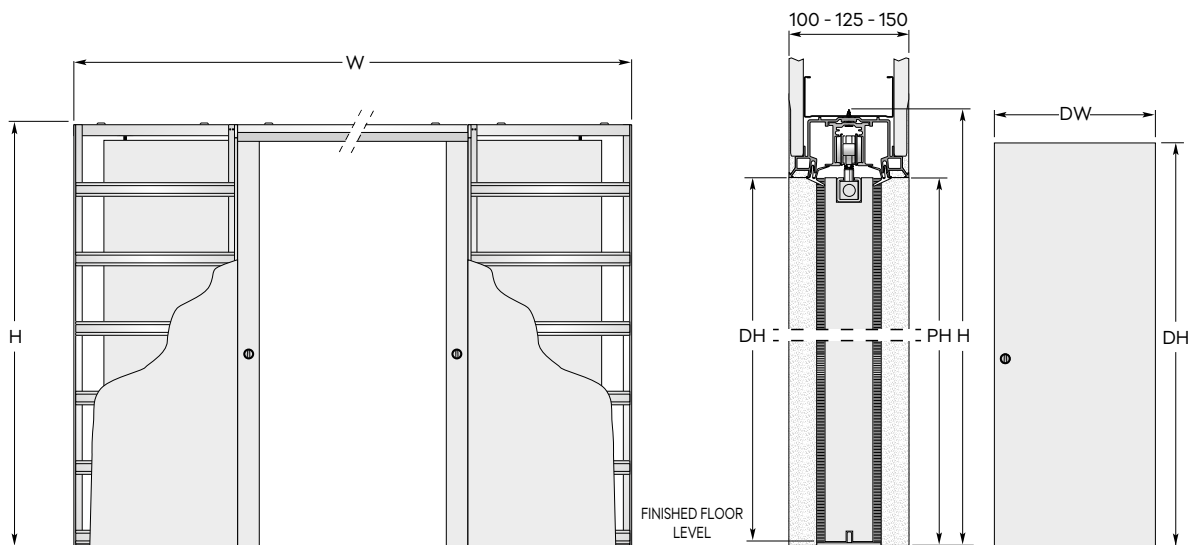


# SYNTESIS® LINE POCKET DOORS

specification



Wooden door panels should be routed as shown along the top edge

frames for single doors			door panel uk	
MAX. PASSAGE SIZE	OVERALL DIMENSION	FINISHED WALL	DW	DH
PWxPH	WxH			
1200x2048	2670x2108	100 -125 - 150	626	2040
1400x2048	3070x2108	100 -125 - 150	726	2040
1600x2048	3470x2108	100 -125 - 150	826	2040
1800x2048	3870x2108	100 -125 - 150	926	2040
2000x2048	4270x2108	100 -125 - 150	1026	2040
1168x1989	2638x2049	100 -125 - 150	2ft. 0in. x 6ft. 6in. (610 x 1981mm)	
1320x1989	2990x2049	100 -125 - 150	2ft. 3in. x 6ft. 6in. (686 x 1981mm)	
1472x1989	3342x2049	100 -125 - 150	2ft. 6in. x 6ft. 6in. (762 x 1981mm)	
1624x1989	3494x2049	100 -125 - 150	2ft. 9in. x 6ft. 6in. (838 x 1981mm)	
1776x1989	3846x2049	100 -125 - 150	3ft. 0in. x 6ft. 6in. (914 x 1981mm)	

DIMENSIONS ARE GIVEN IN mm

- Available in Non Standard Sizes up to 2600 x 2700 mm passage size.
- Suitable for use with 35 to 44 mm thick doors.
- Max door weight 80 kg.
- 125 and 150 mm finished wall versions require 2 layers of plasterboard per side.
- Passage sizes above 2000 mm wide and above 2150 mm high must be 125 or 150 mm finished wall thickness.
- When fitting flush pull handles we recommend the stop be regulated so the door protrudes from the pocket to avoid risk to fingers.
- Should the door be adjusted to enter the pocket completely we do not accept any liability.
- The framework is not designed to take heavy loads such as radiators e.t.c..
- Doors and plasterboard not supplied.
- Install at finished floor level.
- Anti-Slam device, Eclisse BIAS available separately.